

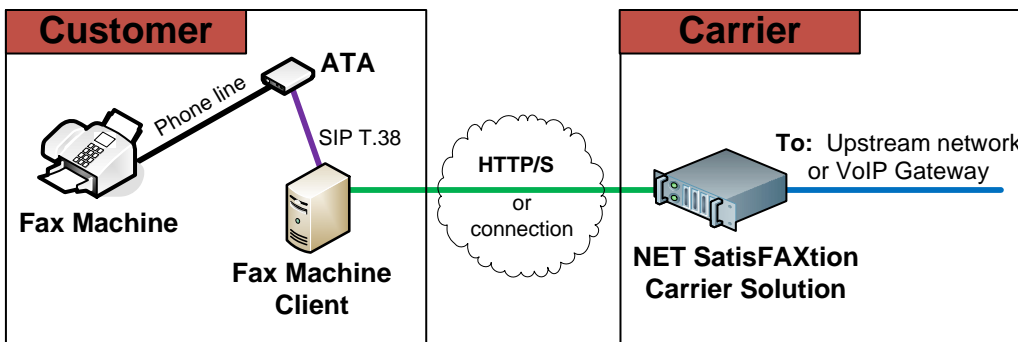
## Fax Machine Reliability over VoIP

### Reliably move fax machine connections to VoIP

Fax machines are a core business requirement and as business shifts to a VoIP communications strategy they expect 100% reliability from fax machines – the same reliability as when connected to TDM/ PSTN phone networks. Now carriers can provide highly reliable fax machine over VoIP service to their customers.

FaxBack’s easy-to-install Fax Machine Client is designed specifically for carriers and service providers who want to offer their customers highly reliable fax machine-over-VoIP service options. The Fax Machine Client enables any fax machines or multifunction printer to be reliably connected with most any carrier network topography. The Fax Machine Client is a bandwidth efficient solution and ideal for carriers wanting the flexibility to use either dedicated lines or the Internet to offer to reliable and secure VoIP fax options to their customers. Now carries can aggressively go after compliance driven customers in the legal, health and financial services markets by offering a complete, end-to-end voice and fax VoIP solution.

- RELIABLY CONNECT FAX MACHNES – using dedicated lines or the Internet
- RELIABLE OVER the INTERNET – Thirty second buffer offers reliability to network latency
- SECURE OVER THE INTERNET – HTTPS offers security over the Internet
- EASY FIREWALL and NAT TRAVERSAL – HTTP is known and network friendly
- LOW BANDWIDTH USAGE– HTTP/S offers an 80% reduction over SIP T.38



### Features & Benefits

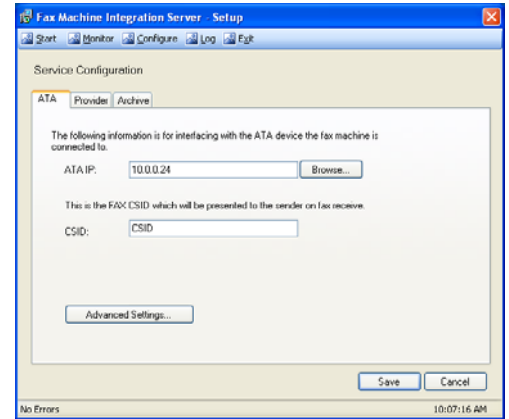
- Reliably move fax machine connections to VoIP
- Reliable over the Internet – thirty second buffer
- Secure over the Internet – SSL
- Easy firewall traversal – HTTP/S
- Lower bandwidth usage (up to 80%)
- Use LAN, WAN, dedicated lines or Internet connections
- Turns the fax machine into a client of the carrier based fax solutions

- =====
- Facilities HIPAA / SOX compliance
  - Fax machine and email notifications
  - Auto busy and no-answer retry
  - Easy to deploy and manage
  - For single or multiple fax machines
  - Supports fax machines, multifunction printers, and digital senders.
  - Complete audit trail tracking, user logging, usage statistics
  - Supports server virtualization

## NET SatisFAXtion Fax Machine Client Plug-in Features

- Retain the ability to reliably fax paper based documents
- Print-to-Fax for easy fax submission
- Integration with Office Applications including Outlook
- Easy to use with no learning curve
- Simple fax client feature set virtually eliminates support needs
- Supports connections to Microsoft Small Business Server (SBS)

The installation of the Fax Machine Client Plug-in is very easy with a simple "Browse" to find the installed compatible ATA (Analog telephone Adapter) device on the network. The ATA devices are typically setup with DHCP making the complete installation easy.

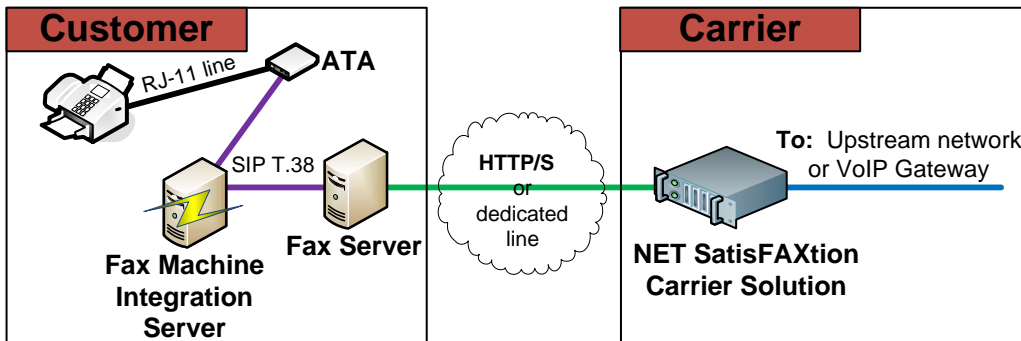


## Requirements for using the NET SatisFAXtion Fax Machine Client Plug-in with a VoIP Service Provider

- Account with VoIP Service Provider
- Microsoft Windows Vista / XP / 2000
- Microsoft Windows 2003
- Microsoft .NET 3.0 (automatically installed)
- VoIP service provider must be running a NET SatisFAXtion IP Port Server
- Compatible ATA or FXS device that supports SIP T.38

<sup>1</sup>For some installations of Windows XP, the user might need the original installation CD for the Windows XP operating system to activate Microsoft Fax.

<sup>2</sup>DTMF Pass-through support required on the phone lines or extensions used for automatic DID fax routing.



## Learn More

Call: 503-597-5350

Visit: [www.faxback.com](http://www.faxback.com)

Email: [info@faxback.com](mailto:info@faxback.com)

## About FaxBack, Inc.

Headquartered outside of Portland, Oregon, FaxBack is the first name in reliable VoIP fax, with solutions that offer unparalleled reliability and lead the market in high-density, carrier-grade VoIP fax (fax-over-IP). FaxBack's NET SatisFAXtion VoIP fax servers are available in Small Business, Enterprise and Carrier grade editions – to reliably integrate customizable VoIP fax features into any business model or workflow. For more information, please visit FaxBack's web site at <http://www.faxback.com>.

© FaxBack, Inc. 2008 All right reserved. This data is for informational purposes only.

FaxBack makes no warranties, express or implied in this summary. NET SatisFAXtion is a trademark of FaxBack, Inc. in the United States and/or other countries.

FaxBack, Inc. 7409 SW Tech Center Drive, Suite 100 Portland, Oregon. 97223 • Rev: 1.20.2009